

# **NO DIG** *Equipment*

**The Trenchless Technology Specialists**



## **Vacuum Excavator VM400**



### Three Stage filtration system

Our VM range of Vacuum Excavators are incorporated with a three stage filtration system, including a cyclonic dust separation unit, with a 5 micron washable poly filter element. This three stage filtration system is a very efficient dust separation process, which minimises the frequency of filter cleaning.

### Powerful positive displacement blower

High level continuous flow vacuum pump, without the need to prime or need for the inlet hose to be submerged. Ideal for potholing, service locating, mud removal or general cleaning.

### Fully Galvanised Waste Bowl

Our VM400 incorporates a fully galvanised waste bowl, improving durability and minimising rust, adding years to the life of our Vacuum Excavators and offers the best protection against harsh conditions.

### High pressure water system

Set at 2500psi, these small yet powerful triplex piston pumps enable you to quickly and safely pothole to determine the exact location of underground utilities and drilling equipment.

### What type of work can you do with a Vacuum Excavator VM400?

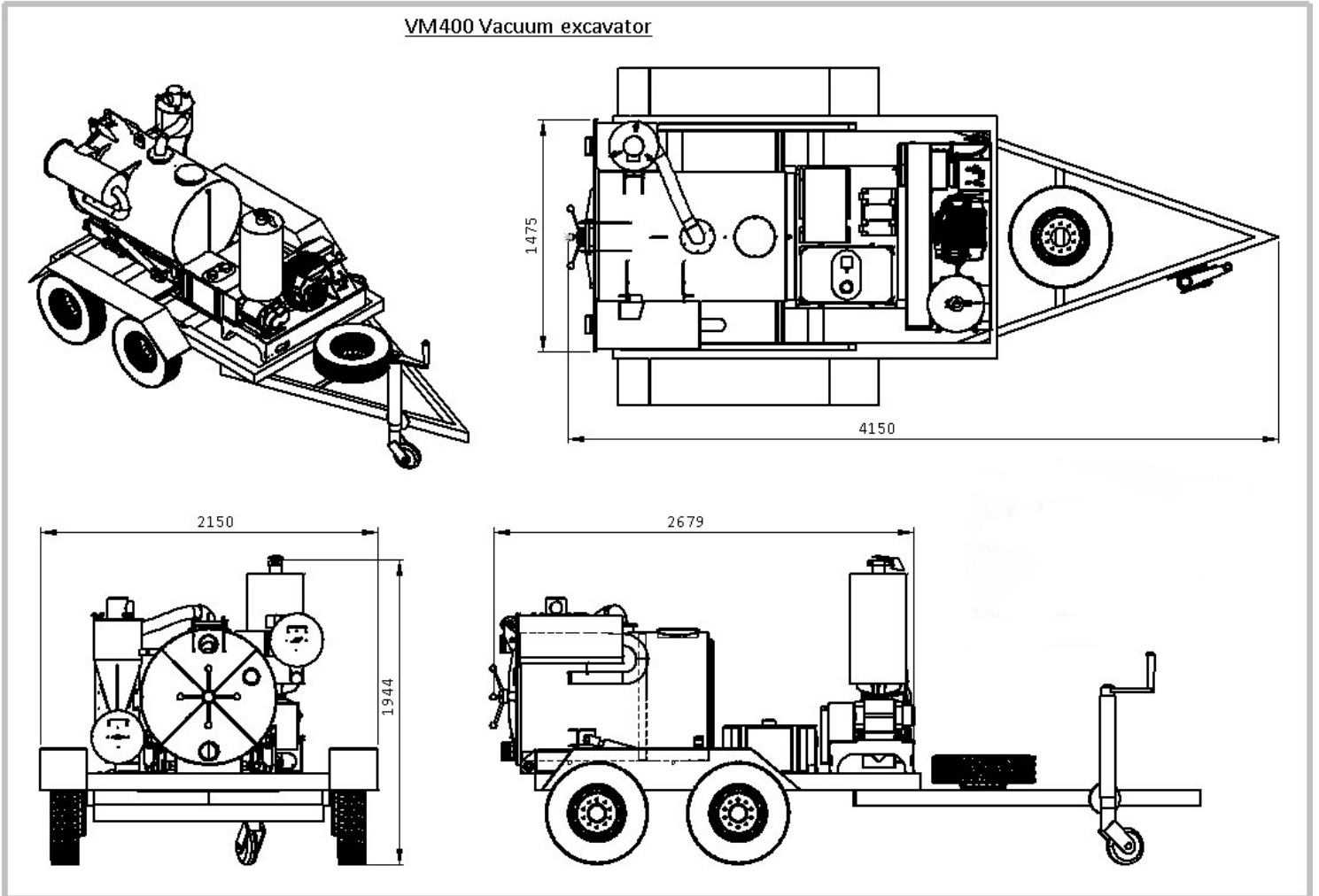
- Cleaning Telstra pits
- Underground service locating
- Clean up construction sites
- Install fence posts
- Live gas pipe maintenance
- Live sewer pipe maintenance
- Installing NBN optical fibre through asbestos pipe
- and much more

### VM 400 Vacuum Excavation Machines include;

- Hydraulic tipping waste bowl for easy dumping
- 23.5Hp Kohler Petrol Engine
- 3" dia Vacuum Suction Hose x 7m long
- 400 Litre Spoil Tank & 200 Litre built in Water Tank
- 550cfm Blower, producing ultra efficient vacuum
- 2500psi High Pressure Triplex Water Pump



VM400 Vacuum excavator



## VM400 Vacuum Excavator

Vacuum System	550 CFM blower, c/w- 3" dia hose (318mm Hg, 15"Hg)
Petrol Engine	23.5 Hp Kohler Command Pro CH730
Spoil Storage Tank	400 Litre with Hydraulic Tilting
High Pressure Water System	2500psi @ 10 Lpm
Water Tank	200 Litres
Dry Weight (excluding trailer)	790 Kg

## Optional Extras

Heavy Duty Trailer	2T (towable by any ute) ( 350kg )
Skid Frame	c/w- forklift points
Double Jet Digging Wand	6.5" dia (165 mm) head
Suction Hose Extension	10 meters in 3"
Hose Reel	15 m Retractable



# **NO DIG** *Equipment*

The Trenchless Technology Specialists



# **NO DIG** *Equipment*

The Trenchless Technology Specialists

**Address:** 15 Wildfire Rd, Maddington WA 6109

**Ph :** 08 9493 0642

[sales@NoDigEquipment.com](mailto:sales@NoDigEquipment.com)

[www.NoDigEquipment.com.au](http://www.NoDigEquipment.com.au)